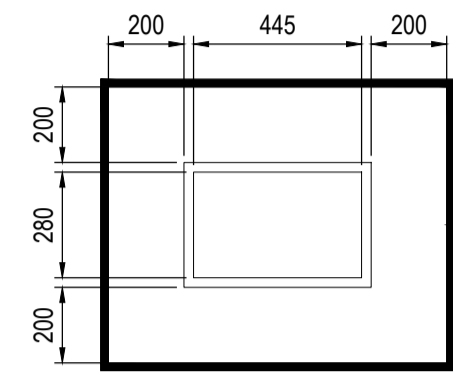


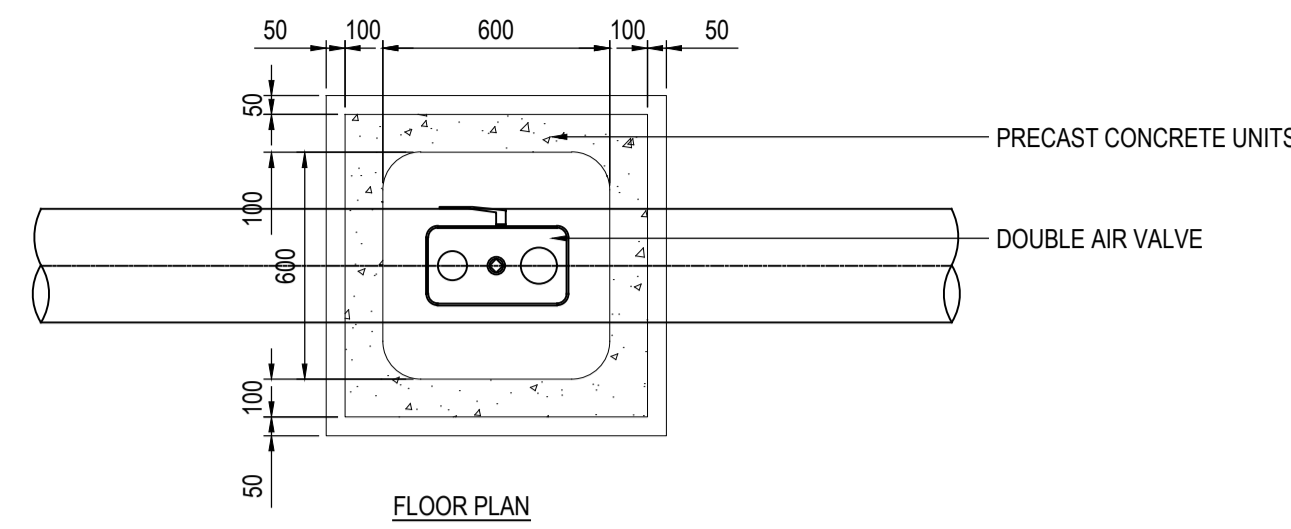
FLOOR PLAN



PLINTH DETAIL IN GRASS AREA

SLUICE VALVE DETAILS

SCALE 1:20



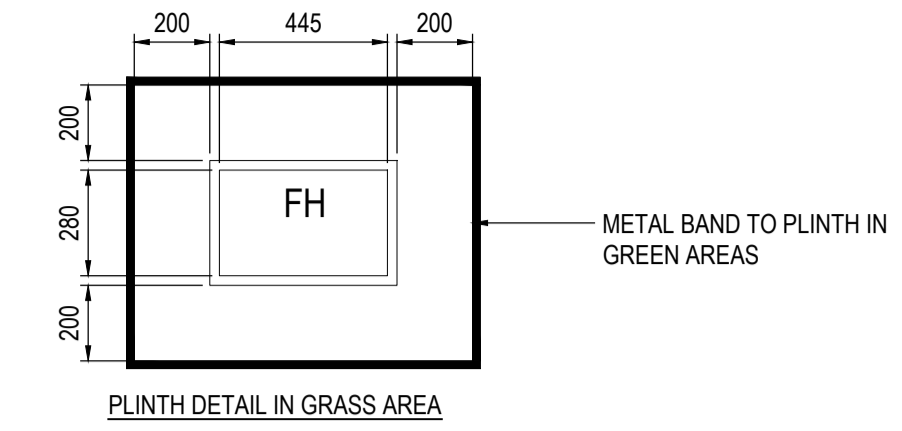
FLOOR PLAN

AIR VALVE DETAILS (PRECAST CHAMBER)

SCALE 1:20

DIAMETER OF MAIN	≤ 250mm	250mm - 300mm
DIAMETER OF BRANCH	80mm	100mm
BORE OF VALVE INLET	80mm	100mm

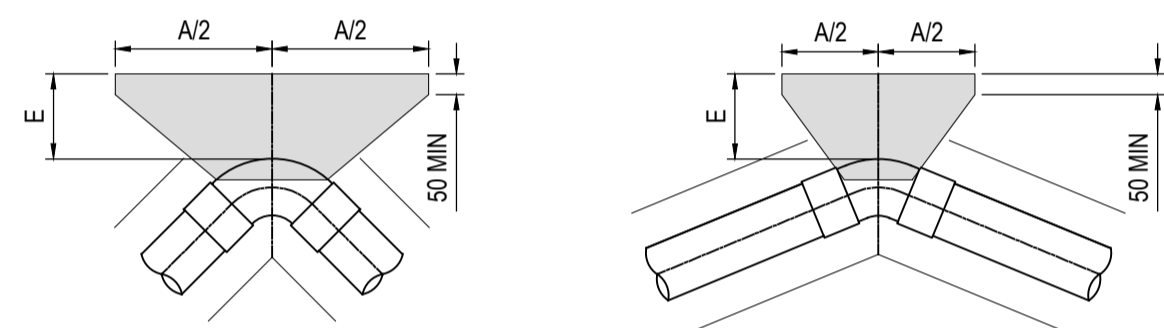
FLOOR PLAN



PLINTH DETAIL IN GRASS AREA

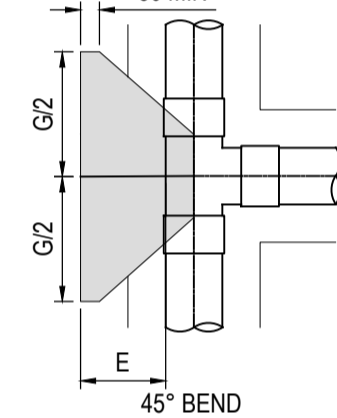
OFFLINE/END HYDRANT

SCALE 1:20

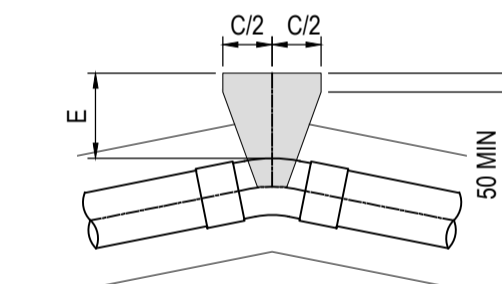


90° BEND

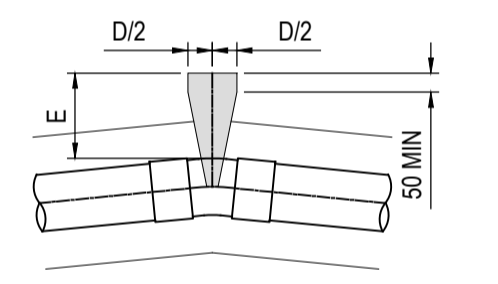
45° BEND



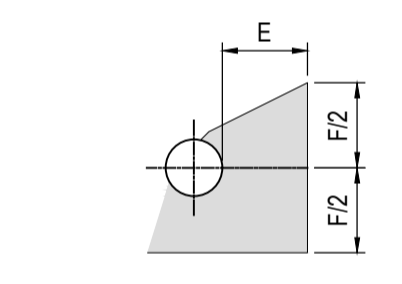
45° BEND



22.5° BEND



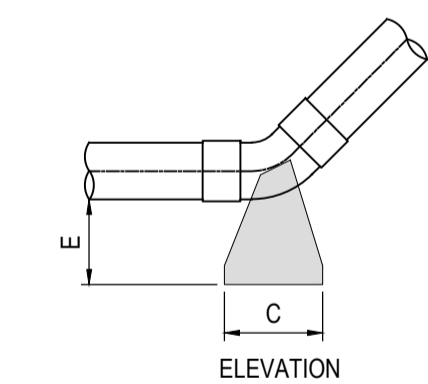
11.25° BEND



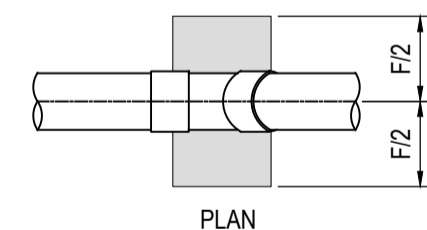
SECTIONAL ELEVATION FOR BEND OR TEE

THRUST BLOCKS FOR WATERMAIN - HORIZONTAL BENDS

SCALE 1:20



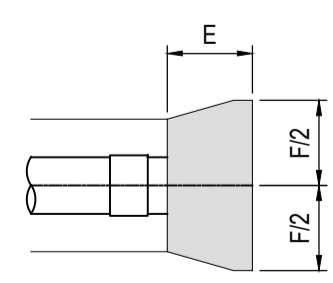
ELEVATION



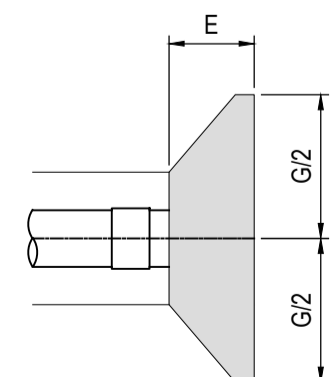
PLAN

THRUST BLOCKS FOR WATERMAIN - VERTICAL BENDS

SCALE 1:20



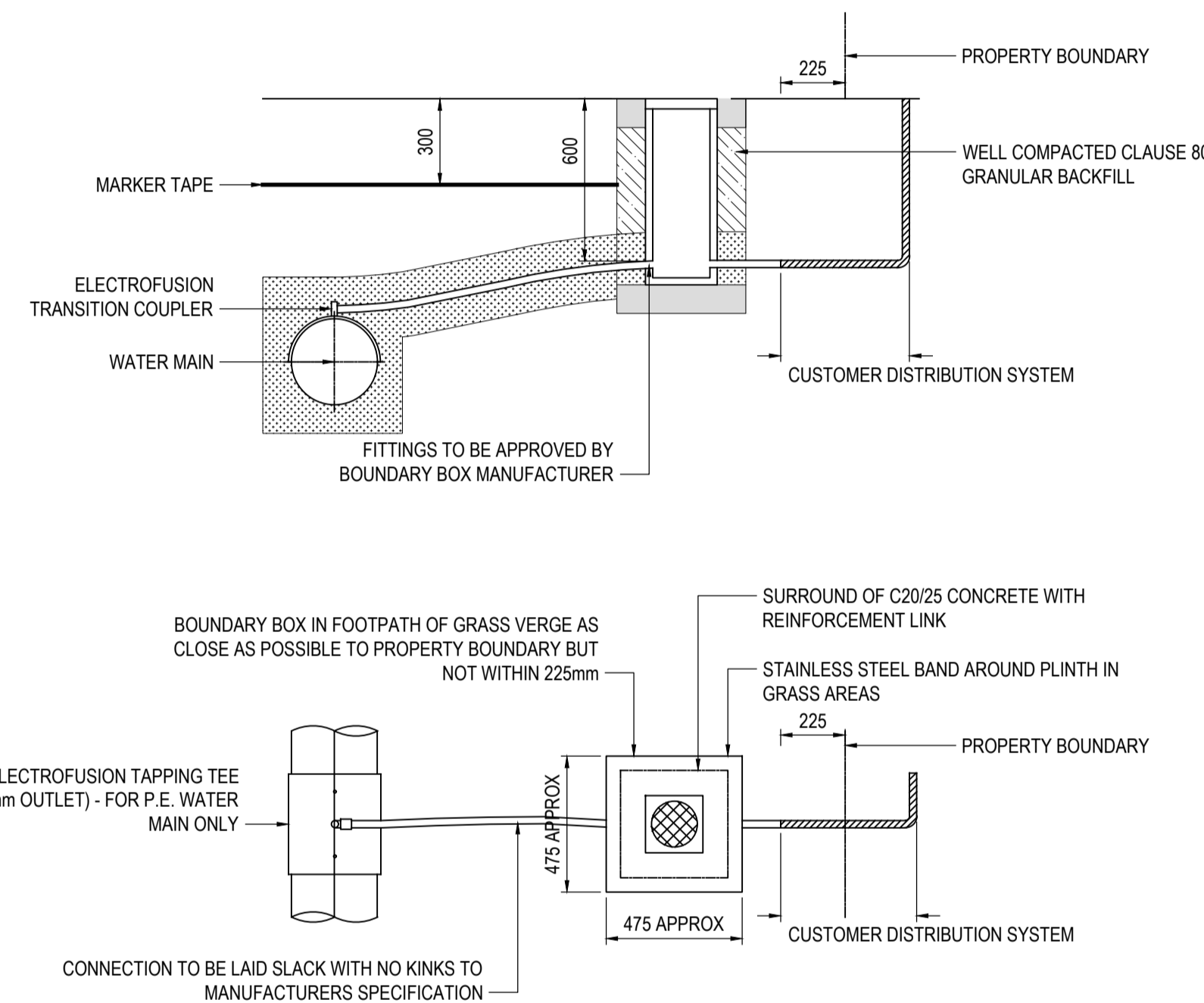
ELEVATION



PLAN

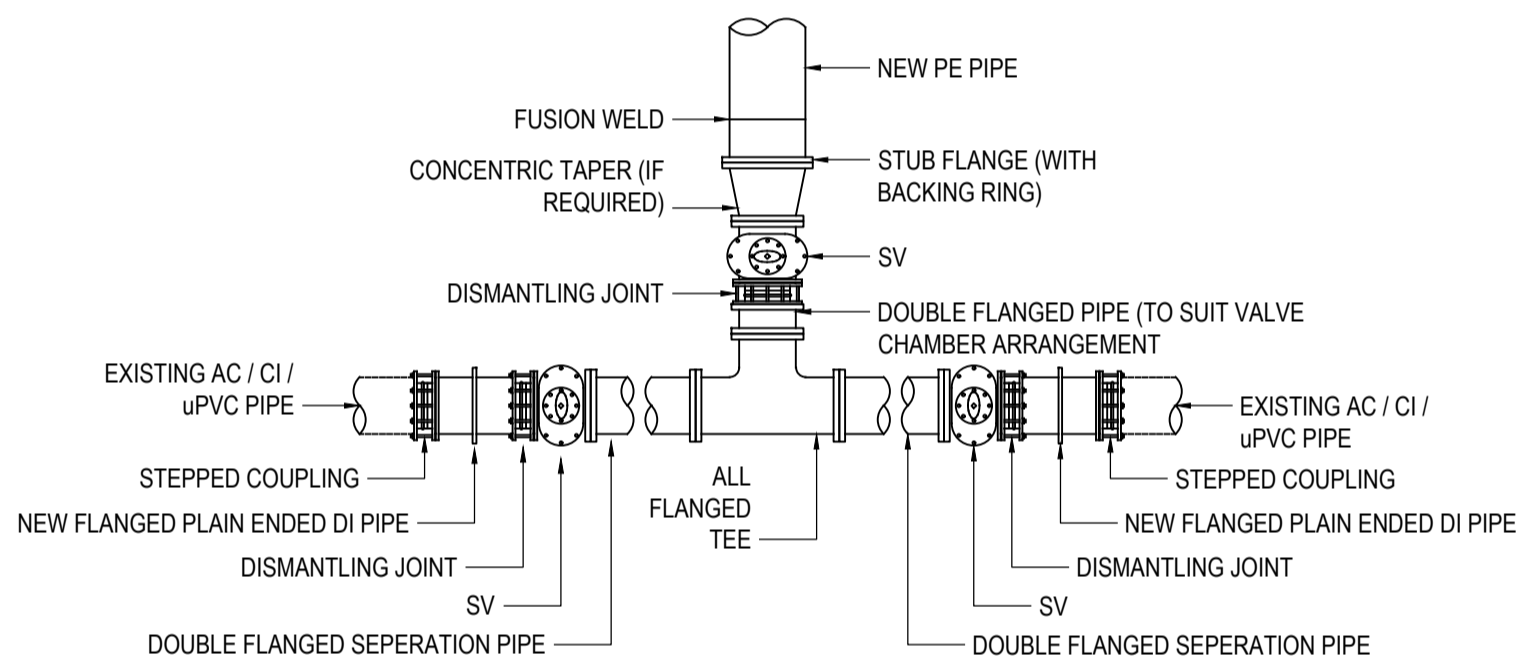
THRUST BLOCKS FOR WATERMAIN - DEAD END

SCALE 1:20



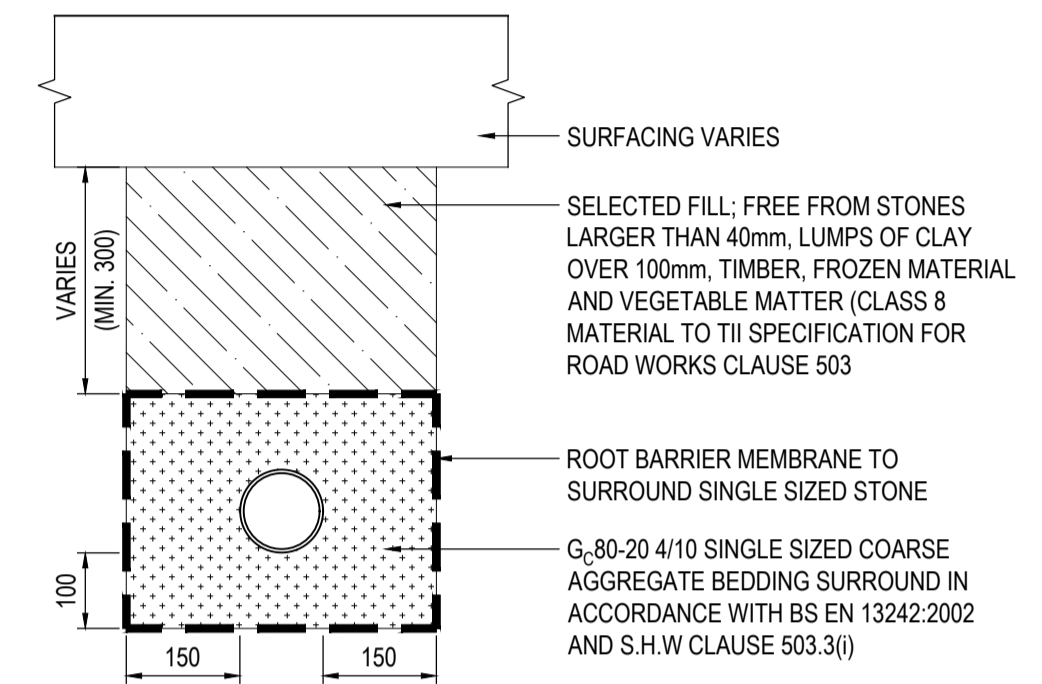
BOUNDARY BOX

SCALE 1:20



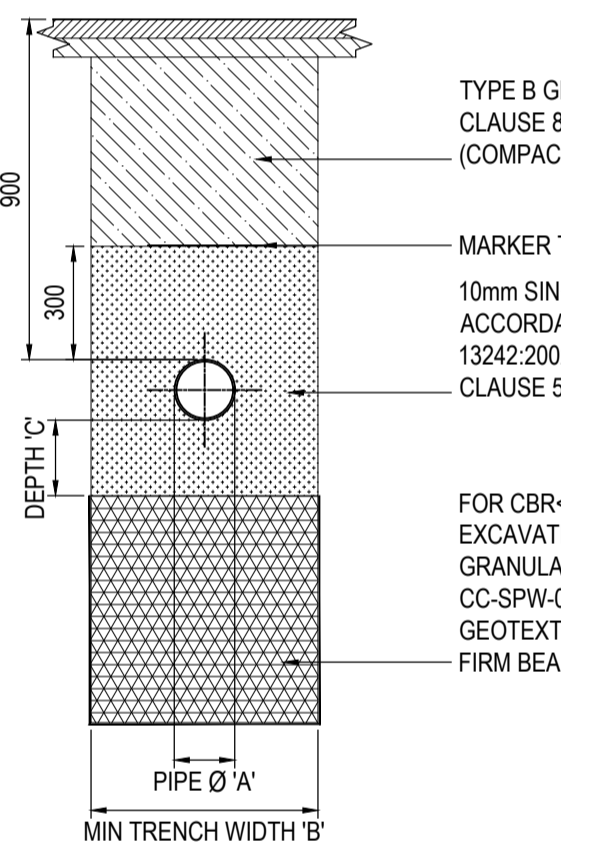
BRANCH CONNECTION - uPVC

SCALE 1:20



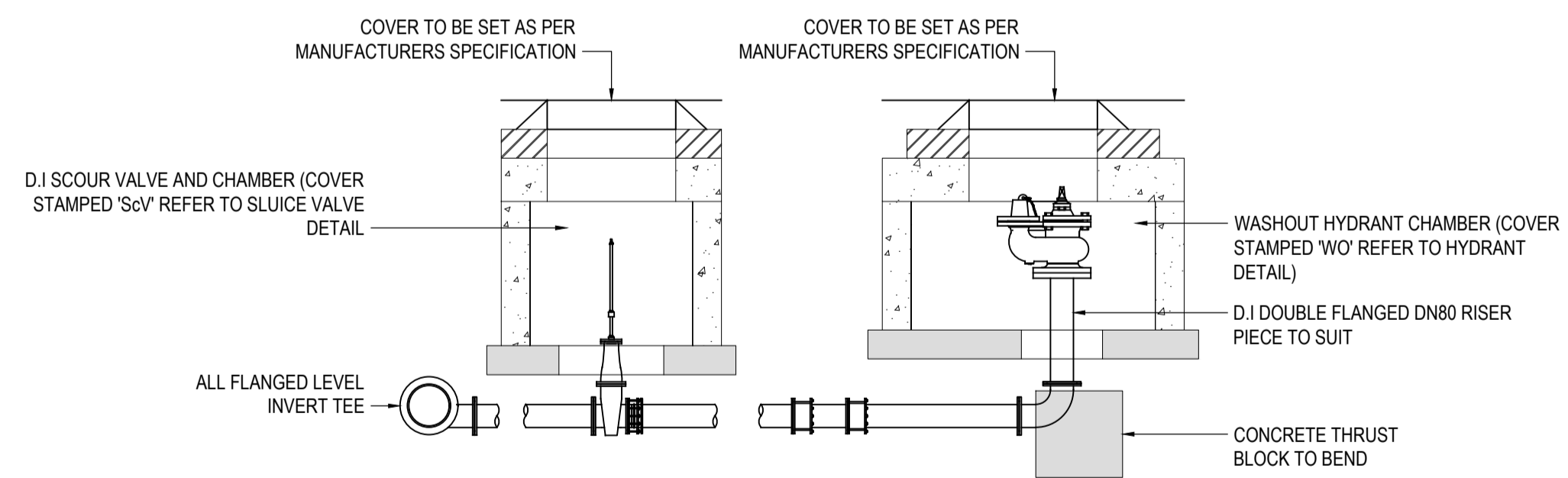
PIPE BEDDING NEAR PLANTING

SCALE 1:10



PIPE BEDDING - WATERMAIN

SCALE 1:20



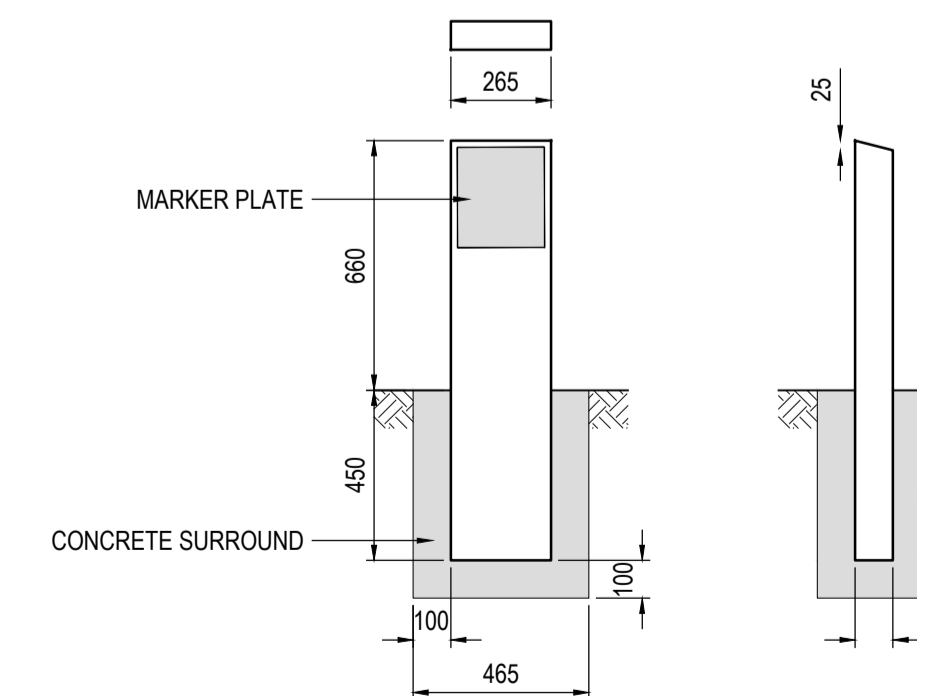
WASHOUT HYDRANT ARRANGEMENT

SCALE 1:20

15 BAR TO 18 BAR TEST PRESSURE

NOM DIA (mm)	DIMENSIONS (mm)										
	A	B	C	D	E	F	G	H	J	K	
100	700	400	205	220	400	400	530	800	650	400	
150	1250	700	350	250	250	500	890	1000	850	650	
200	1650	890	450	320	320	700	1170	1250	1000	800	
250	1960	1060	540	350	350	900	1370	1450	1150	900	
300	2300	1200	640	500	500	1100	1630	1650	1300	1050	
350	2930	1580	830	410	750	1200	2070	1850	1500	1150	
400	3510	1900	970	190*	1000	1300	2490	2000	1600	1250	
450	3810	2270*	1160	580	1000	1350	2970	2150	1700	1350	
500	4340*	2380*	1210	610	1000	1400	3700	2250	1750	1400	
600	6370*	3450*	1760	890	1000	1500	4500*	2400	2050	1650	

NOTE: REFER TO SPECIFICATION FOR DETAILS OF CONCRETE



TYPICAL WATERMAIN MANHOLE

SCALE 1:20